

PRONOVA 510



The Pronova 510 bagging machine is a highly versatile and efficient machine that automatically and without moving parts opens up and seals linked Joker® bags. It is mostly designed for manual filling and for the somewhat easier in-line applications.

The machine opens up several bags for filling simultaneously and then automatically seals them closed. By simply loosening two knobs on the opening rails you can instantly and easily change the bag opening and adjust it to fit the product's size and shape - from a narrow and thin up to a wide and rectangular opening.

Filling options

For manual packaging, we have the 510 with work table equipped with ergonomic and operator-friendly features, such as easy height adjustment.

The 510 is well prepared for fully automated filling and can easily be integrated with existing production units and various filling stations such as weighers, counters etc.

PLC system

The machine is equipped with a PLC system. The operator panel gives all necessary machine information and has a operator-friendly touch button display with universal symbols.

Flexibility

- Versatile design - easily adjusted to fit products and productions.
- Opening arms can be up to 5 meters long.
- Bag width - 50 - 800 mm.
- Bag features - reclosability, perforation, hanger holes, stand-up pouch, reinforced headers etc.
- Materials - PE, PP, laminates.
- Continuous or intermittent bag feed.

Standard

- Preset counter for automatic stop after preset number of bags.
- Intermittent bag feeding with adjustable stop position.
- Preset counter for numbers of bags per feed.
- Continuous feeding of bags.
- Speed control for bag feeding.

Options

- Foot pedal
- Work table
- Supporting conveyor belt
- Imprinters
- Labellers
- Product counter
- Air evacuation
- Compressing unit
- Modem
- Recipe management
- Zipper opener/closer
- MAP (modified atmosphere)

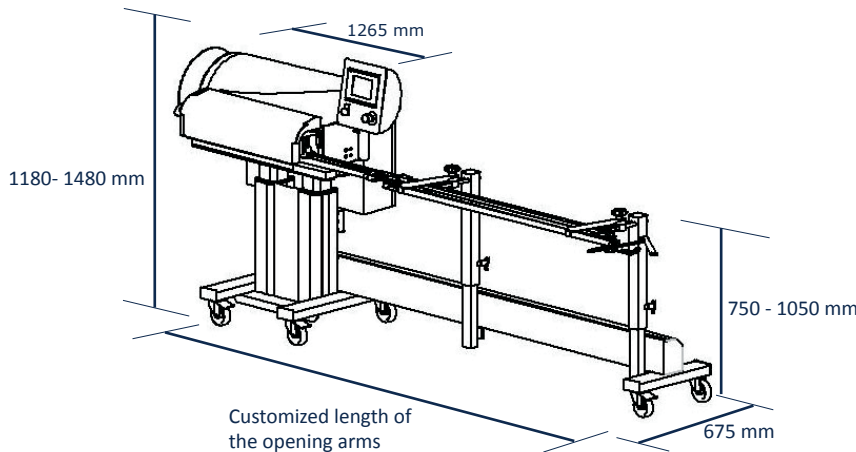


Technical description

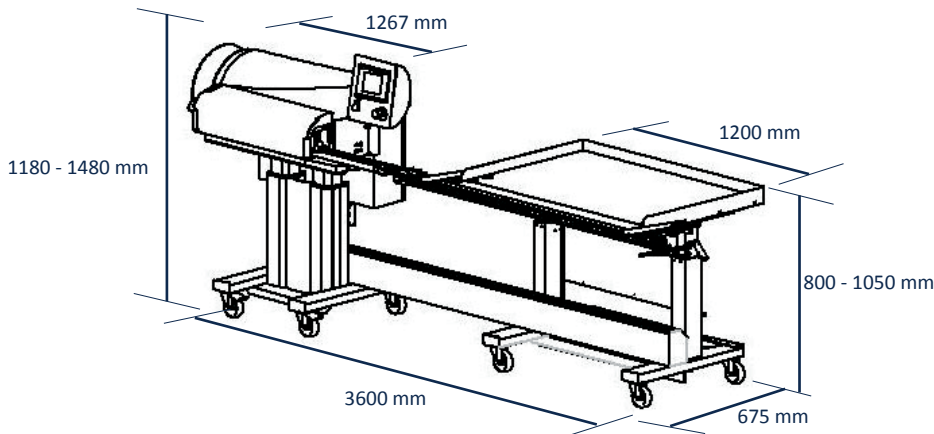
The length of the opening arms can be made between 1 - 5 meters, depending on chosen filling method.

Bags can hang free, without support, up to a weight of 300-400 grams per 100 mm bag width. For heavier products, we recommend the optional conveyor belt.

510 standard



510 with work table



Technical specifications Pronova 510

Weight	200 kg
Standard sealing speed	12 m/min
Power	1,2 kW
Electrical supply	230 V 1-phase
Compressed air	600 kPa, 0,06 m ³ /h

Quality & Safety

The Pronova packaging system stands for quality, safety and accountability.

Every part of the business complies with the standards set by ISO 9001 from the time we begin the design and production of machines and packaging to delivery, service, education and support. Our plastic factory is certified in accordance with ISO 22000

All machines are CE marked.

The Pronova packaging machines are designed with few moving parts and with a simplicity that makes them easy to use and easy to maintain. The welding unit is easy to disassemble without the use of any tools.

Our distributors and licensees around the world all take responsibility for the supply of machinery and materials, and they are all well trained for installation, training and service of our machines.



For further information, don't hesitate to contact us:

Pronova AB
Olofsdalsvägen 26
302 41 Halmstad
Sweden

Tel: +46 (0)35 17 19 00
sales@pronovaab.se
www.pronovasweden.eu

